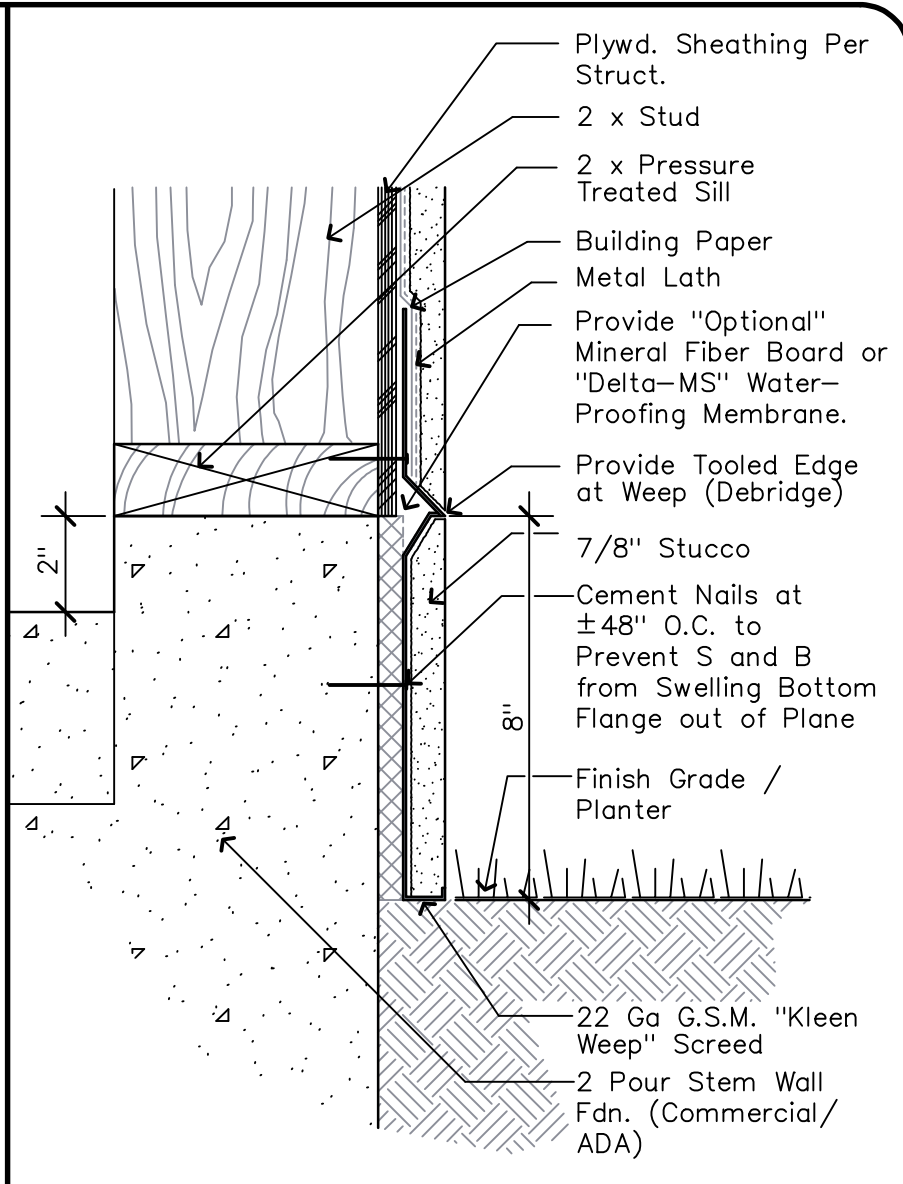
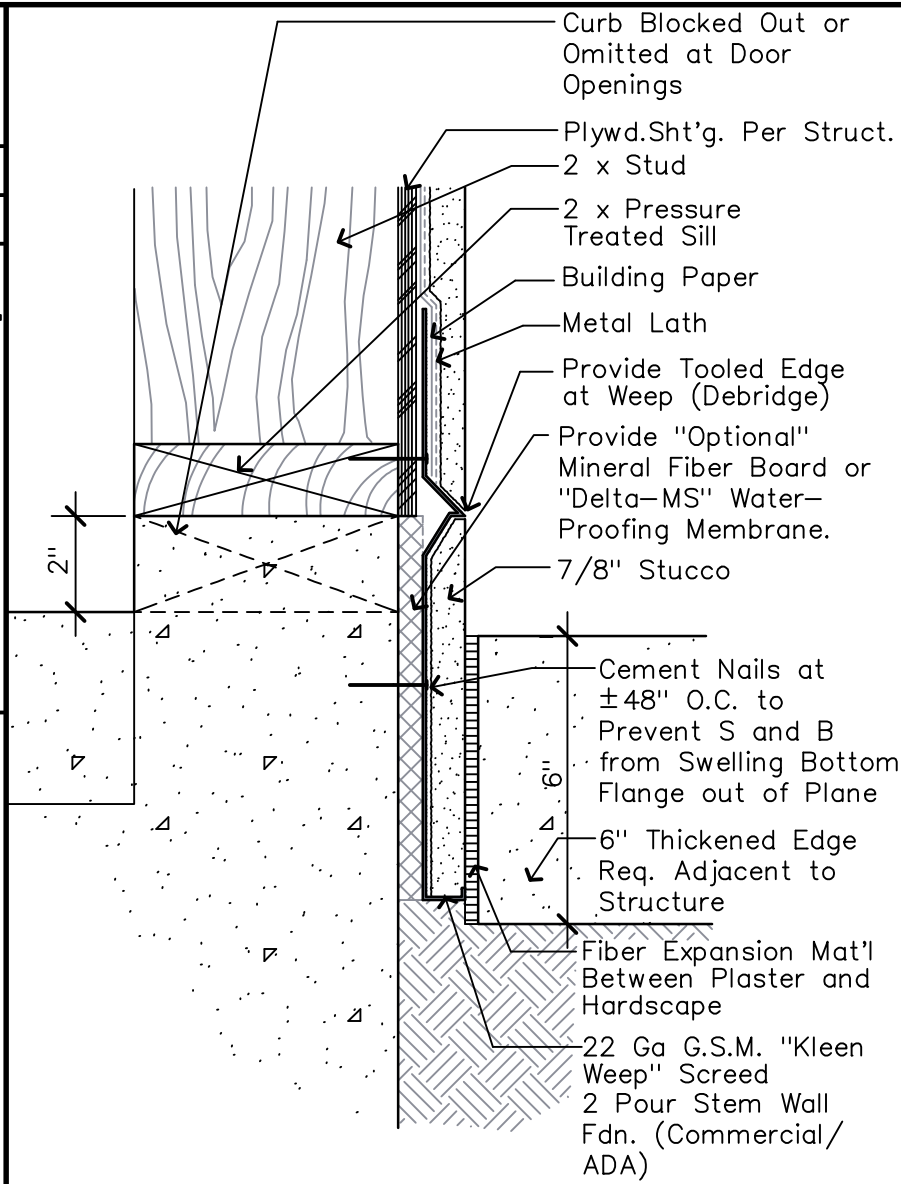


**KLEEN-WEEP**

**weep  
details**



Note: Where Plywood Sheathing is NOT Required it is Recommended That One Layer of Building Paper/"Delta-MS" to be Applied Over P.T. Sill or Other Adequate Means of Divorcing GSM from Corrosive Nature of P.T. Chemical Exposure.

SHEET NO.

**W.1**

**STEM WALL with HARDSCAPE**

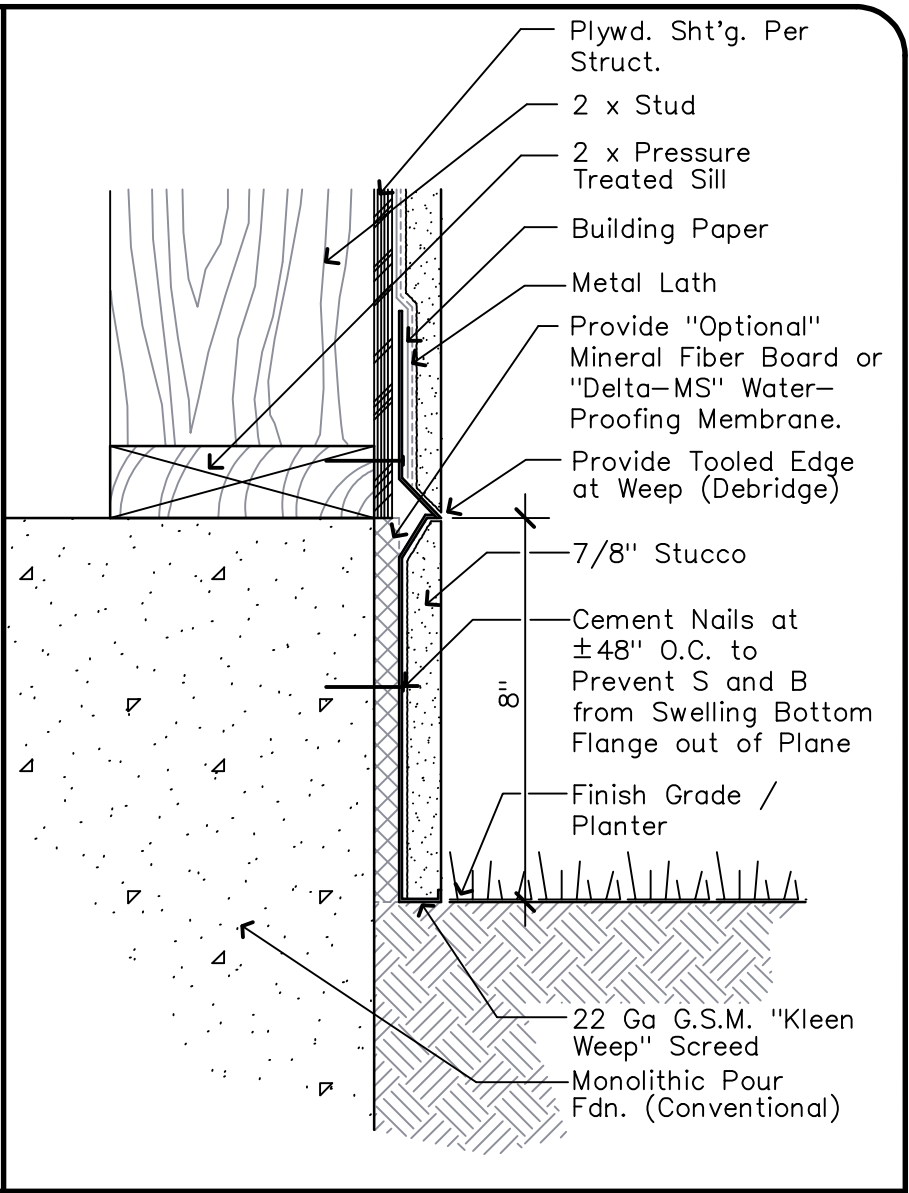
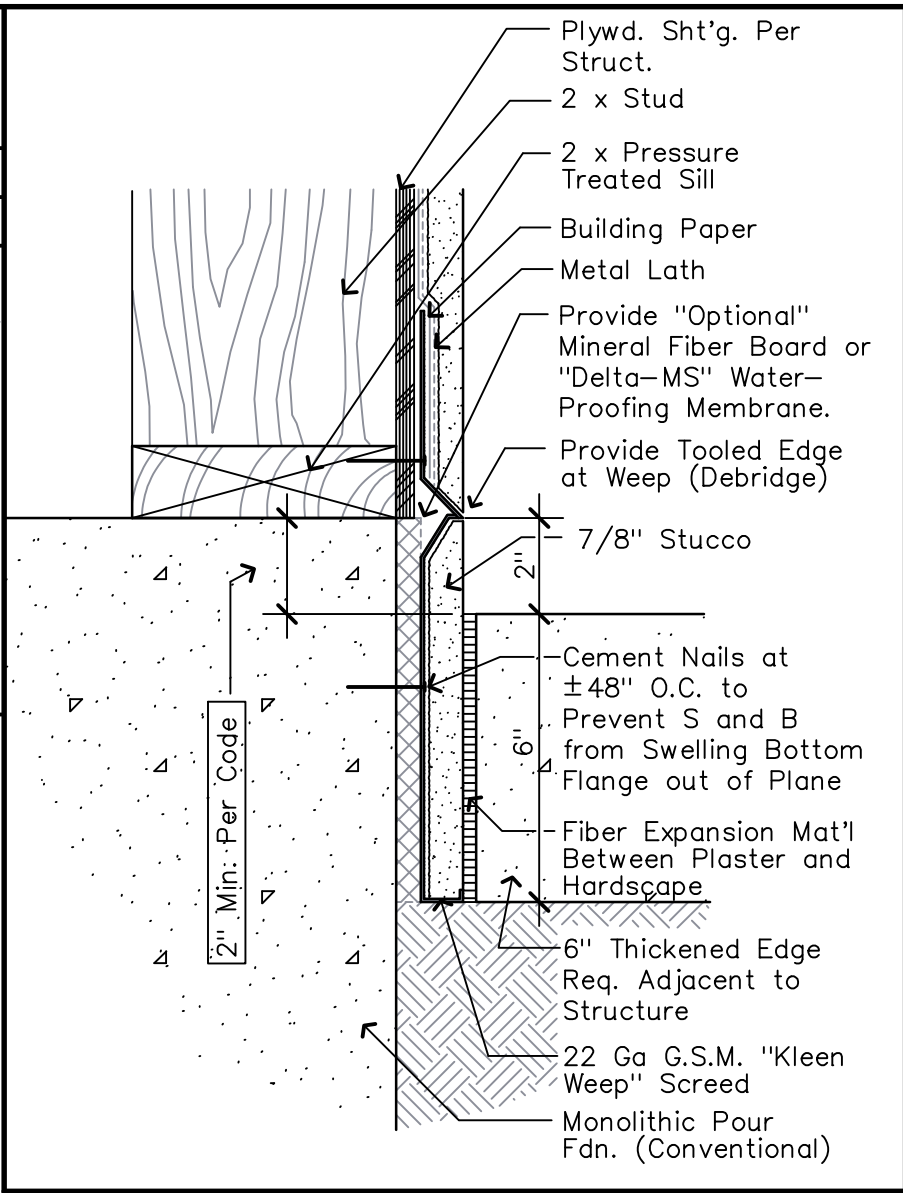
3" = 1'-0"

**STEM WALL to GRADE**

3" = 1'-0"

**KLEEN-WEEP**

**weep details**



Note: Where Plywood Sheathing is NOT Required it is Recommended That One Layer of Building Paper/'Delta-MS' to be Applied Over P.T. Sill or Other Adequate Means of Divorcing GSM from Corrosive Nature of P.T. Chemical Exposure.

SHEET NO.

**W.2**

**CONV. SILL with HARDSCAPE**

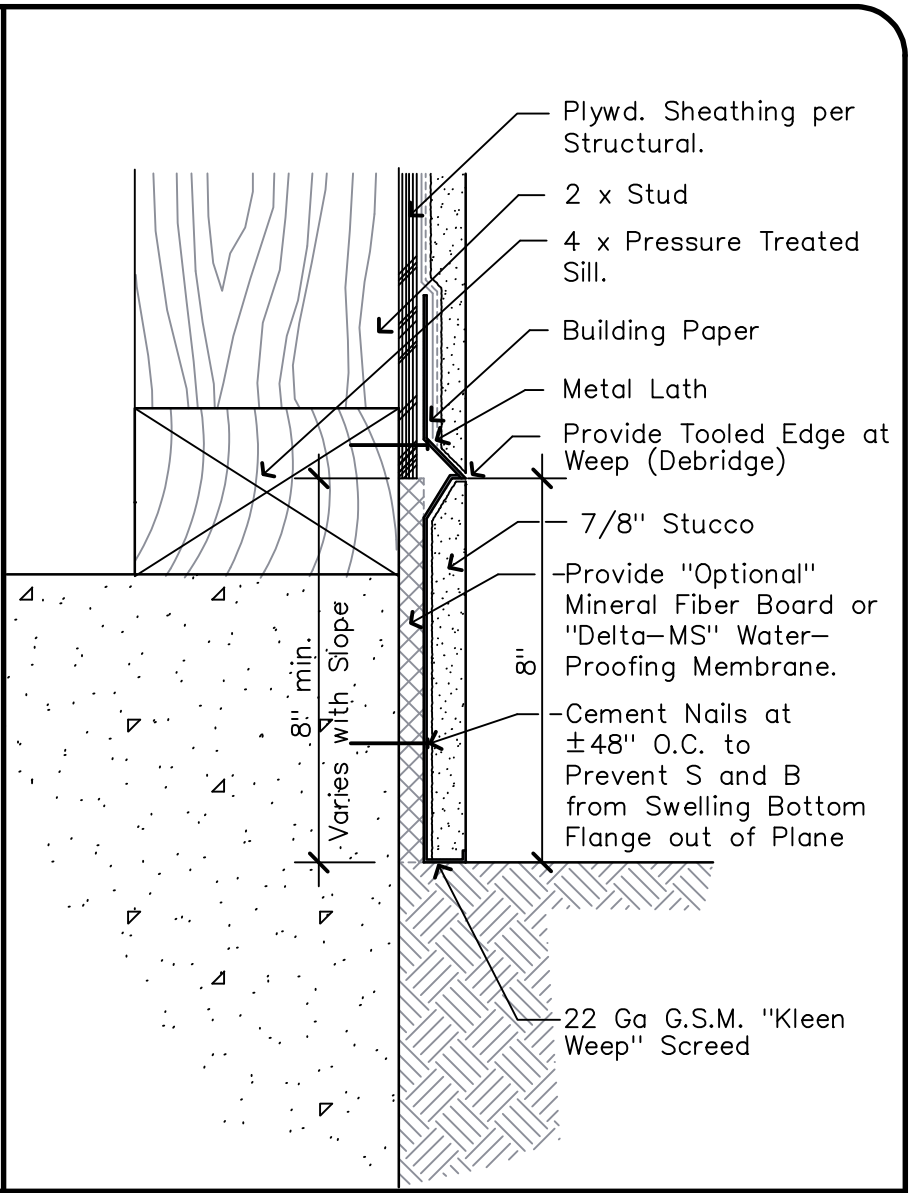
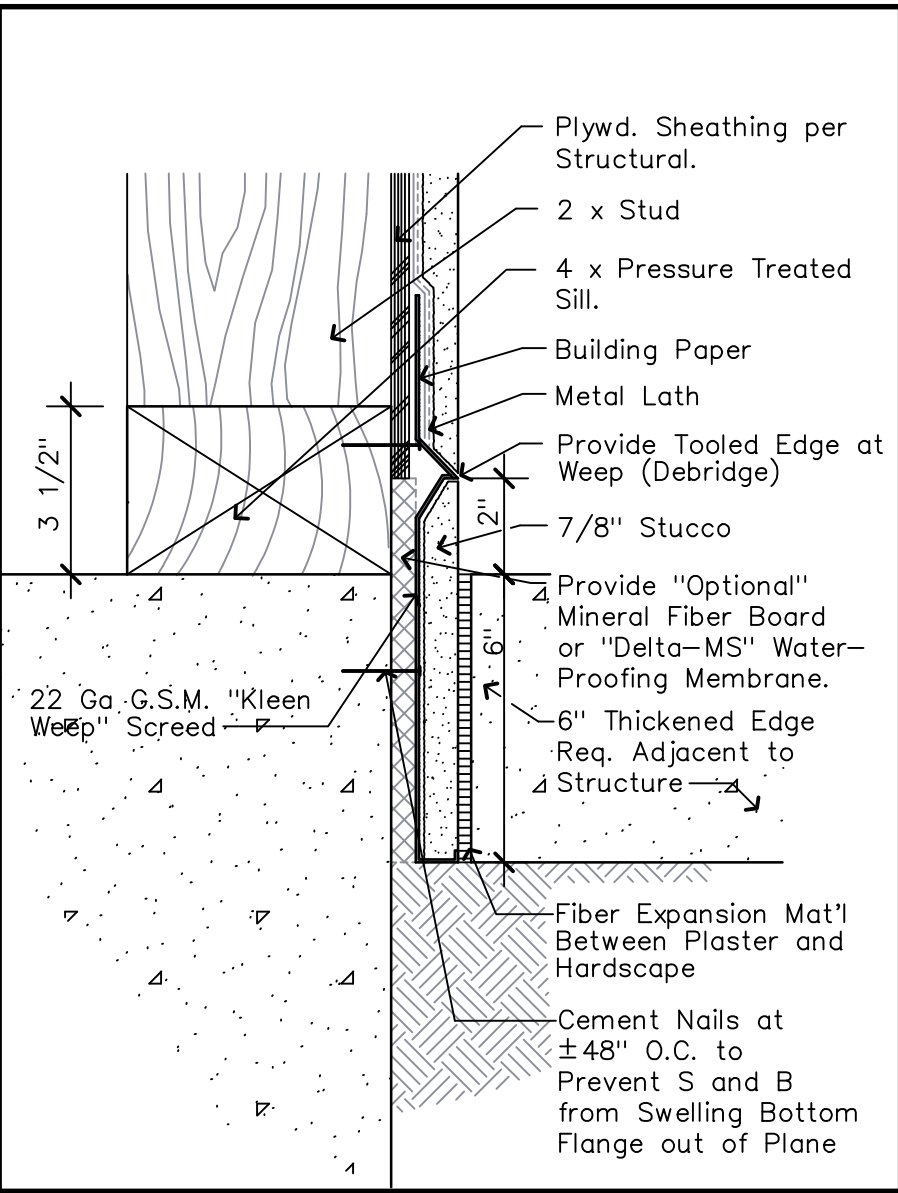
3" = 1'-0"

**CONV. SILL to GRADE**

3" = 1'-0"



**weep details**



Note: Where Plywood Sheathing is NOT Required it is Recommended That One Layer of Building Paper/"Delta-MS" to be Applied Over P.T. Sill or Other Adequate Means of Divorcing GSM from Corrosive Nature of P.T. Chemical Exposure.

SHEET NO.

**W.3**

**4x SILL with HARDSCAPE**

3" = 1'-0"

**4x SILL to GRADE**

3" = 1'-0"